



**BEMAS**

**Firma BEMAS SRL**

*Str. Uzinelor,1 Chisinau, Republica Moldova, MD-2023*

*Tel: +373 (22) 429222, Fax:+373 (22) 429909*

*E-mail: [office@bemasgroup.com](mailto:office@bemasgroup.com), web: [www.bemasgroup.com](http://www.bemasgroup.com)*

**Data: 28/11/2013**

**Catre: Directorul “Apa-Canal Basarabeasca” ,D-a Donici T.V.**

**Transmitem oferta tehnica pentru proiectul “Reconstructia capitala a statiilor de epurare si pompare”. In oferta am luat ca baza parametrii tehnici pentru fiecare statie de pompare in parte, din caietul de sarcini primit.**

<b>Statia de pompare Nr 1</b>			
Nr	Denumirea produsului	Un.	C-te
	Pompa submersibila pentru instalare uscata vertical SE1.80.100.75.A.4.51D.B Pompa are rotor S-tub, asigura punctul de lucru: Q=50m <sup>3</sup> /h cu H=20mca	Buc.	2,0
2.	Set pentru montarea uscata vertical DN100 cpl.	Buc.	2,0
3.	Supapa cu bila de retinere DN100/PN10 GGG-40	Buc.	2,0
4.	Robinet de inchidere DN100 PN10/16	Buc.	4,0
5.	Panou de comanda LCD108.400.3.20.SD (GB/D/PL/NL)	Buc.	1,0
6.	4 plutitori cu contacte MS1, w.wallhanger	Buc.	1,0
<b>Piese de schimb recomandate pentru 2 ani</b>			
1.	Set(Kit, bearing), LargeSE/SL, Fr. D	Buc.	1,0
2.	Set(Kit, Shaft) seal C/D	Buc.	1,0
3.	Ulei,1 litru Shell Ondin	L.	2,0
4.	Set(Kit, O-rings) D	Buc.	2,0



**Firma BEMAS SRL**

*Str. Uzinelor,1 Chisinau, Republica Moldova, MD-2023*

*Tel: +373 (22) 429222, Fax:+373 (22) 429909*

*E-mail: [office@bemasgroup.com](mailto:office@bemasgroup.com), web: [www.bemasgroup.com](http://www.bemasgroup.com)*

**Statia de pompare Nr 3**

Nr	Denumirea produsului	Un.	C-te
1.	Pompa submersibila pentru instalare uscata vertical SEV.80.80.170.2.52H.C.N.51D Pompa are rotor SuperVortex, asigura punctul de lucru: Q=90m <sup>3</sup> /h cu H=24mca	Buc.	2,0
2.	Set pentru montarea uscata vertical fr50-54 DN100 PN10 G	Buc.	2,0
3.	Supapa cu bila de retinere DN100/PN10 GGG-40	Buc.	2,0
4.	Robinet de inchidere DN100 PN10/16	Buc.	4,0
5.	Panou de comanda LCD108.400.3.59.SD (GB/D/PL/NL)	Buc.	1,0
6.	4 plutitori cu contacte MS1, w.wallhanger	Buc.	1,0

**Piese de schimb recomandate pentru 2 ani**

1.	Set(Bearing kit upper for) F52	Buc.	1,0
2.	Set(Kit, Shaft seal cartridge)	Buc.	1,0
3.	Set(Kit, O-ring set for dry motor NBR)	Buc.	2,0
4.	Oil,1 litre Shell Ondin	L.	2,0



**Firma BEMAS SRL**

*Str. Uzinelor,1 Chisinau, Republica Moldova, MD-2023*

*Tel: +373 (22) 429222, Fax:+373 (22) 429909*

*E-mail: [office@bemasgroup.com](mailto:office@bemasgroup.com), web: [www.bemasgroup.com](http://www.bemasgroup.com)*

**Statia de pompare Nr 4**

Nr	Denumirea produsului	Un.	C-te
1.	Pompa submersibila pentru instalare uscata vertical SE1.80.100.200.2.52S.C.N.51D Pompa are rotor S-tub, asigura punctul de lucru: Q=200m <sup>3</sup> /h cu H=25mca	Buc.	2,0
2.	Set pentru montarea uscata vertical fr50-54 DN100 PN10 G	Buc.	2,0
3.	Supapa cu bila de retinere DN100/PN10 GGG-40	Buc.	2,0
4.	Robinet de inchidere DN100 PN10/16	Buc.	4,0
5.	Panou de comanda LCD108.400.3.59.SD (GB/D/PL/NL)	Buc.	1,0
6.	4 plutitori cu contacte MS1, w.wallhanger	Buc.	1,0
<b>Piese de schimb recomandate pentru 2 ani</b>			
1.	Set(Kit, Shaft seal cartridge)	Buc.	1,0
2.	Set(Kit, O-ring set for dry motor NBR)	Buc.	2,0
3.	Ulei,1 litru Shell Ondin	L.	2,0
4.	Set(Bearing kit upper for F52)	Buc.	1,0



**Firma BEMAS SRL**

*Str. Uzinelor,1 Chisinau, Republica Moldova, MD-2023*

*Tel: +373 (22) 429222, Fax:+373 (22) 429909*

*E-mail: [office@bemasgroup.com](mailto:office@bemasgroup.com), web: [www.bemasgroup.com](http://www.bemasgroup.com)*

**Statia de pompare Nr 5**

Nr	Denumirea produsului	Un.	C-te
1.	Pompa submersibila pentru instalare uscata vertical SEV.80.80.200.2.52H.C.N.51D Pompa are rotor SuperVortex, asigura punctul de lucru: Q=110m <sup>3</sup> /h cu H=25mca	Buc.	2,0
2.	Set pentru montarea uscata vertical fr50-54 DN100 PN10 G	Buc.	2,0
3.	Supapa cu bila de retinere DN100/PN10 GGG-40	Buc.	2,0
4.	Robinet de inchidere DN100 PN10/16	Buc.	4,0
5.	Panou de comanda LCD108.400.3.59.SD (GB/D/PL/NL)	Buc.	1,0
6.	4 plutitori cu contacte MS1, w.wallhanger	Set.	1,0
<b>Piese de schimb recomandate pentru 2 ani</b>			
1.	Set(Kit, Shaft seal cartridge)	Buc.	1,0
2.	Set(Kit, O-ring set for dry motor NBR)	Buc.	2,0
3.	Ulei,1 litru Shell Ondin	L.	2,0
4.	Set(Bearing kit upper for F52)	Buc.	1,0

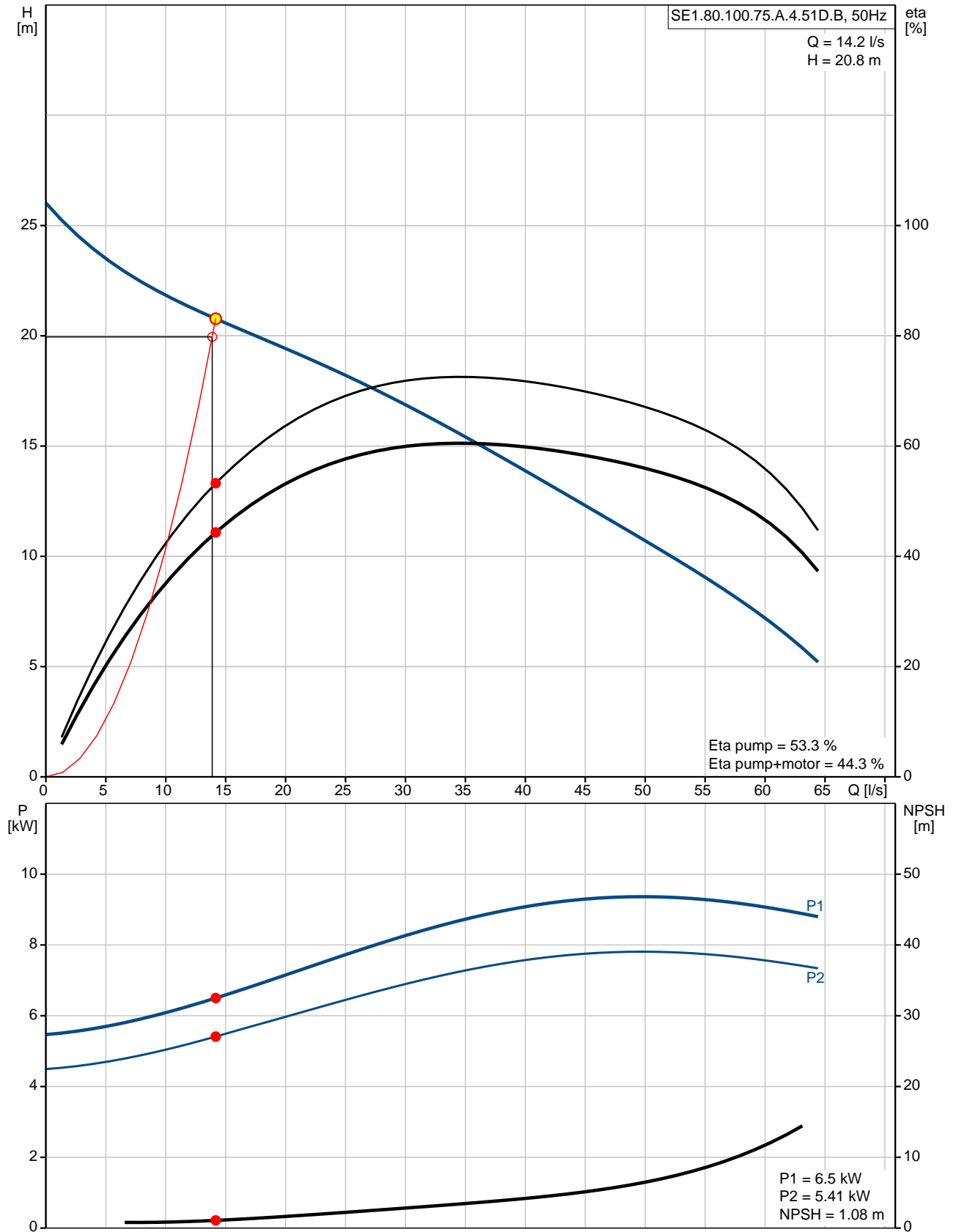
**Cu stima,**

**Director BEMAS SRL**

**D-I Leonid Grigoriev**

**Ex. Eugeniu Chiperi.**

## 96177646 SE1.80.100.75.A.4.51D.B 50 Hz



Description	Value
Product name:	SE1.80.100.75.A.4.51D.B
Product No:	96177646
EAN number:	5700830442111

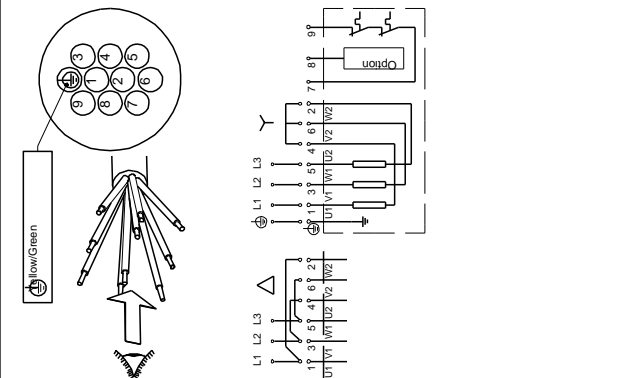
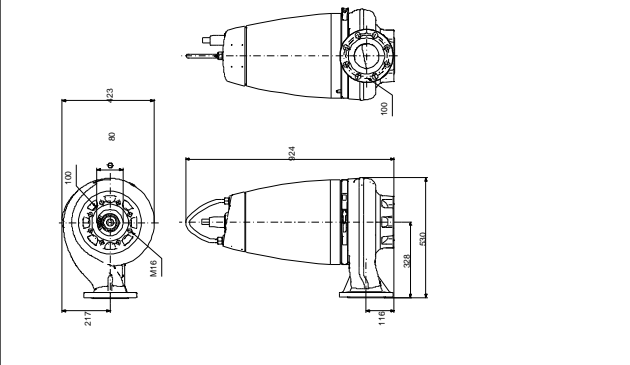
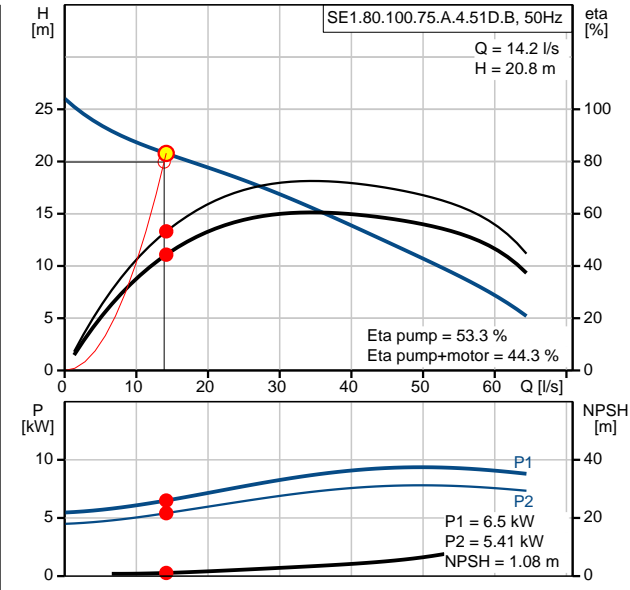
Technical:	
Actual calculated flow:	14.2 l/s
Max flow:	55 l/s
Resulting head of the pump:	20.8 m
Head max:	27.5 m
Type of impeller:	S-TUBE
Maximum particle size:	80 mm
Primary shaft seal:	SIC/SIC
Secondary shaft seal:	CARBON/CERAMICS
Max. hydraulic efficiency:	75 %
Approvals on nameplate:	EN12050-1
Curve tolerance:	ISO 9906:1999 Annex A

Materials:	
Pump housing:	EN-GJL-200
Impeller:	EN-GJL-250

Installation:	
Maximum operating pressure:	6 bar
Flange standard:	DIN
Pump outlet:	DN 100
Pressure stage:	PN 10
Maximum installation depth:	20 m
Inst dry/wet:	DRY/SUBMERGED
Installation:	horizontal or vertical

Liquid:	
Pumped liquid:	Any Newtonian liquid
Liquid temperature range:	0 .. 40 °C
Density:	998.2 kg/m <sup>3</sup>

Electrical data:	
Number of poles:	4
Power input - P1:	9 kW
Rated power - P2:	7.5 kW
Mains frequency:	50 Hz
Rated voltage:	3 x 380-415 V
Voltage tolerance:	+6/-10 %
Start. method:	star/delta
Max starts per. hour:	20
Rated current:	17,7-17,5 A
Rated current at 3/4 load:	13.4 A
Rated current at 1/2 load:	10.9 A
Starting current:	107 A
Rated current at no load:	7.4 A
Cos phi - power factor:	0,79
Cos phi - p.f. at no load:	0,12
Cos phi - p.f. at 3/4 load:	0,72
Cos phi - p.f. at 1/2 load:	0,61
Rated speed:	1455 rpm
Locked-rotor torque:	91 Nm
Breakdown torque:	141 Nm
Moment of inertia:	0.2319 kg m <sup>2</sup>
Motor efficiency at full load:	83,4 %
Motor efficiency at 3/4 load:	83,5 %
Motor efficiency at 1/2 load:	81,3 %
Enclosure class (IEC 34-5):	IP68
Insulation class (IEC 85):	F
Explosion proof:	no
Motor protec:	THERMAL SWITCH



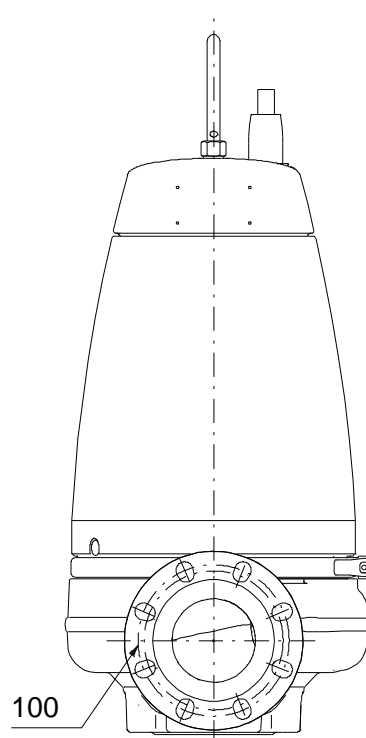
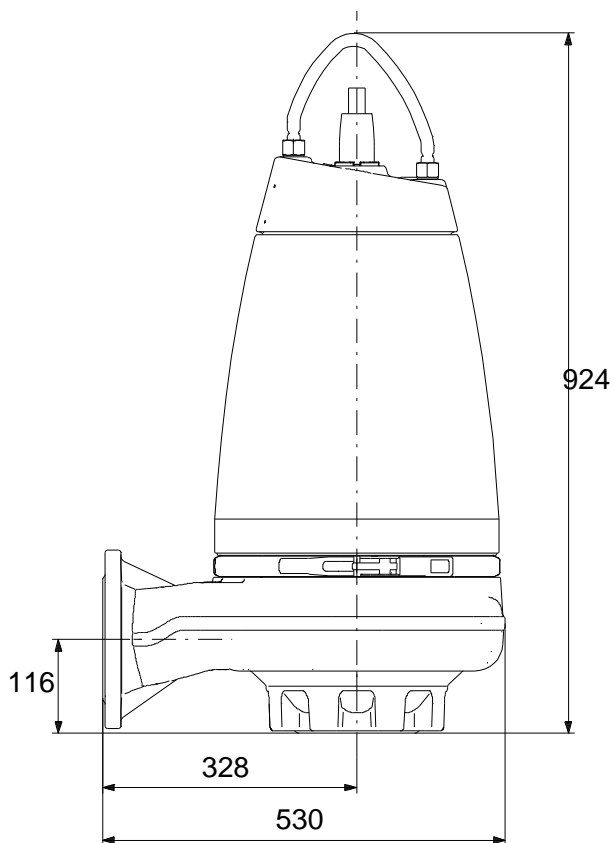
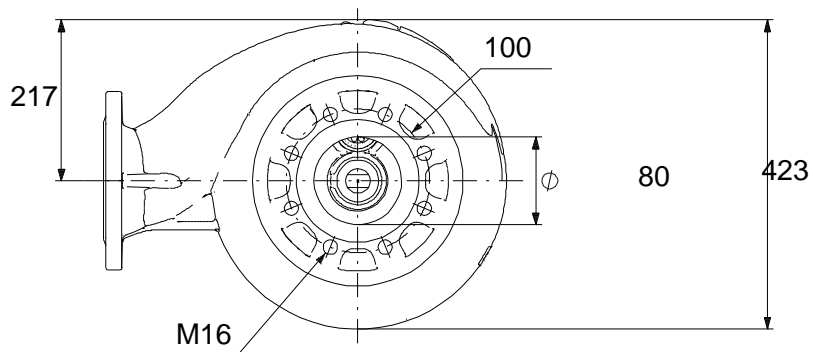


Company name: -  
Created by: -  
Phone: -  
Fax: -  
Date: -

Description	Value
Thermal protec:	internal
Length of cable:	10 m
Cable type:	LYNIFLEX
Type of cable plug:	NO PLUG
<b>Controls:</b>	
Control box:	not included
Moisture sensor:	with moisture sensors
Water-in-oil sensor:	with water-in-oil sensor
Temp. sensor:	Y
<b>Others:</b>	
Net weight:	220 kg



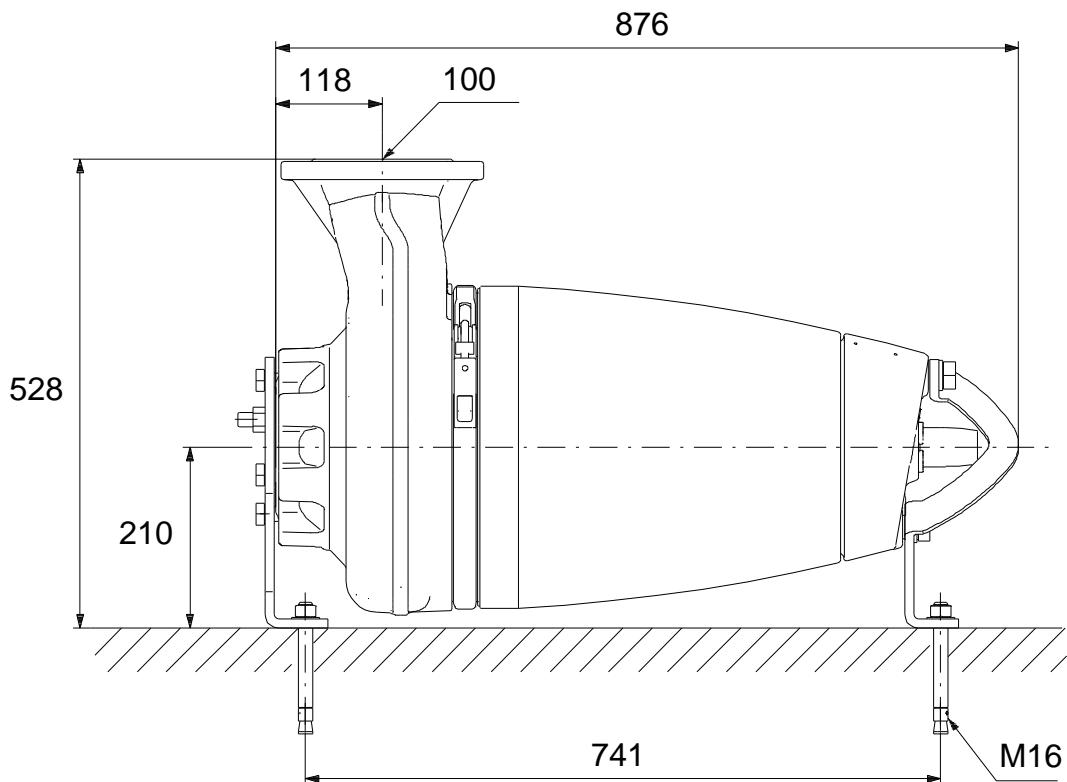
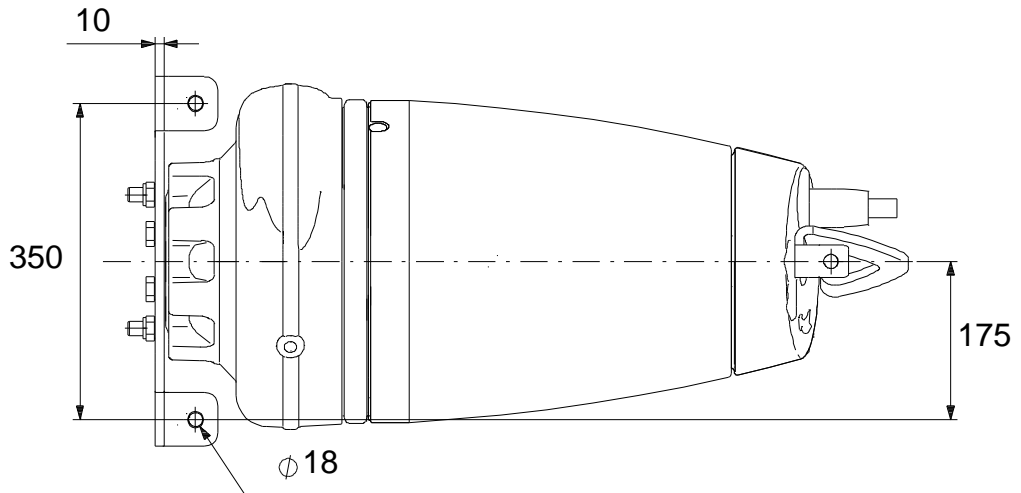
96177646 SE1.80.100.75.A.4.51D.B 50 Hz



Note! All units are in [mm] unless others are stated.  
Disclaimer: This simplified dimensional drawing does not show all details.



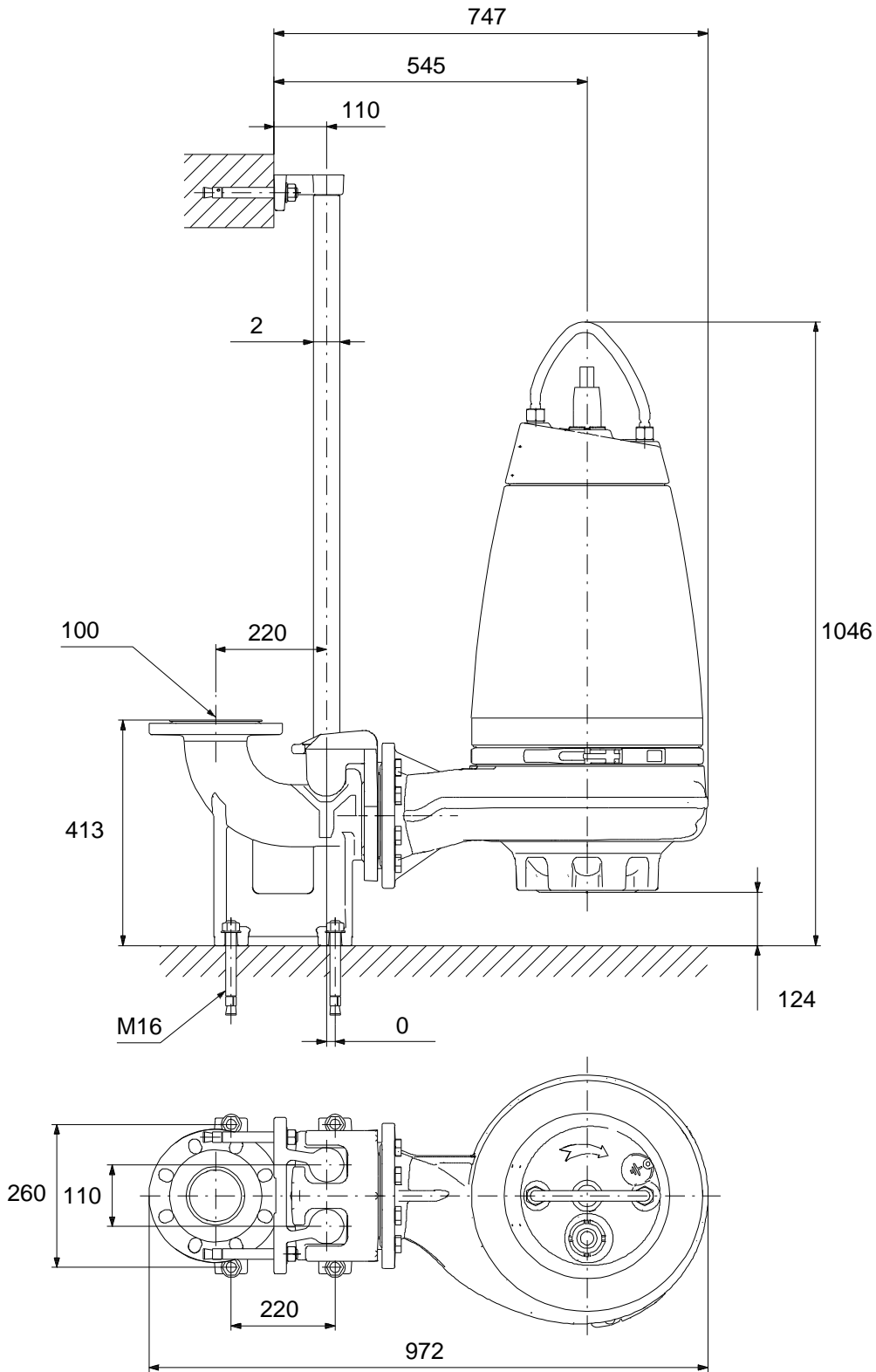
96177646 SE1.80.100.75.A.4.51D.B 50 Hz



Note! All units are in [mm] unless others are stated.  
Disclaimer: This simplified dimensional drawing does not show all details.



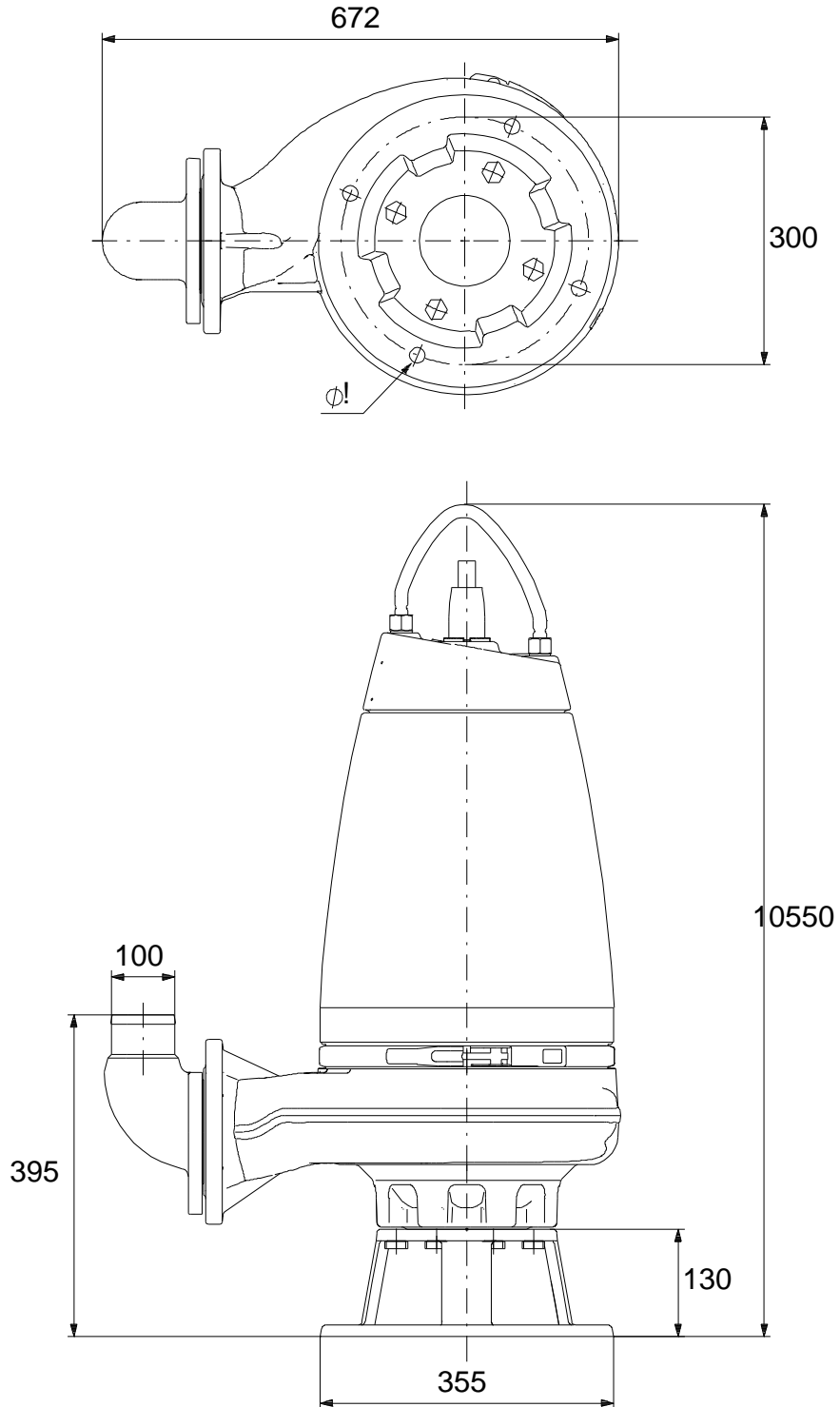
**96177646 SE1.80.100.75.A.4.51D.B 50 Hz**



Note! All units are in [mm] unless others are stated.  
 Disclaimer: This simplified dimensional drawing does not show all details.

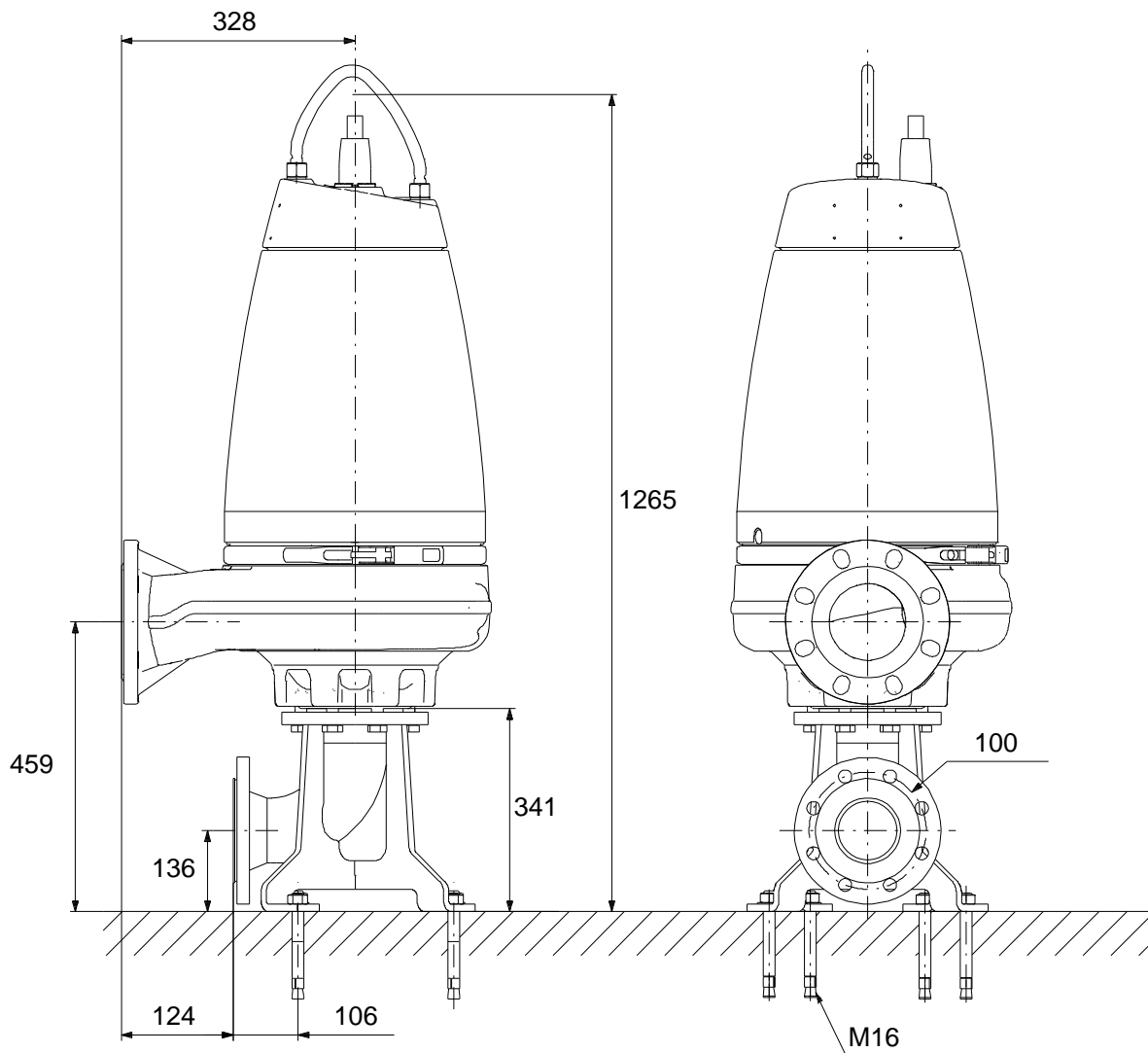
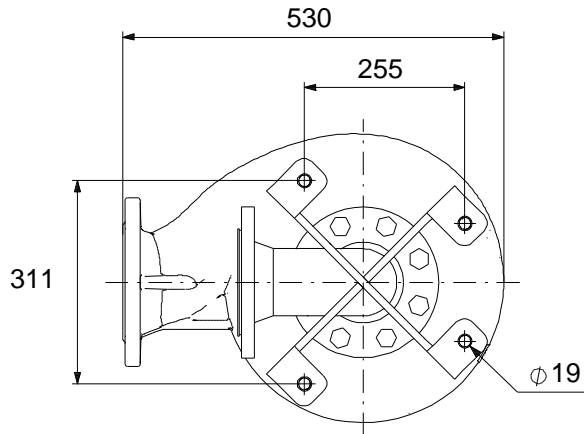


96177646 SE1.80.100.75.A.4.51D.B 50 Hz



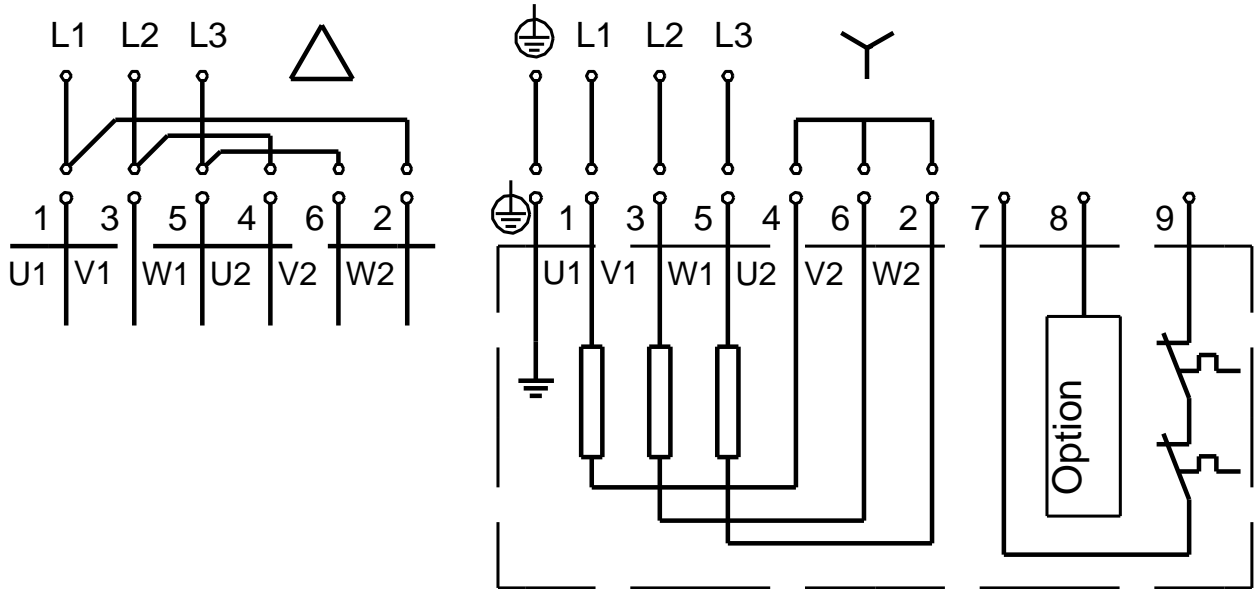
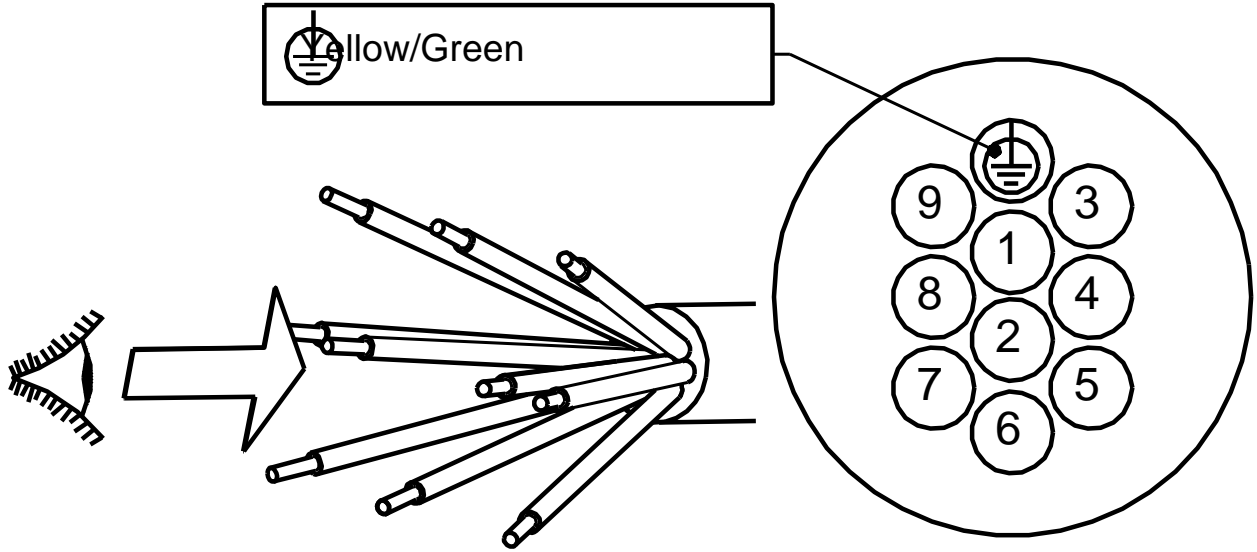
Note! All units are in [mm] unless others are stated.  
Disclaimer: This simplified dimensional drawing does not show all details.

96177646 SE1.80.100.75.A.4.51D.B 50 Hz



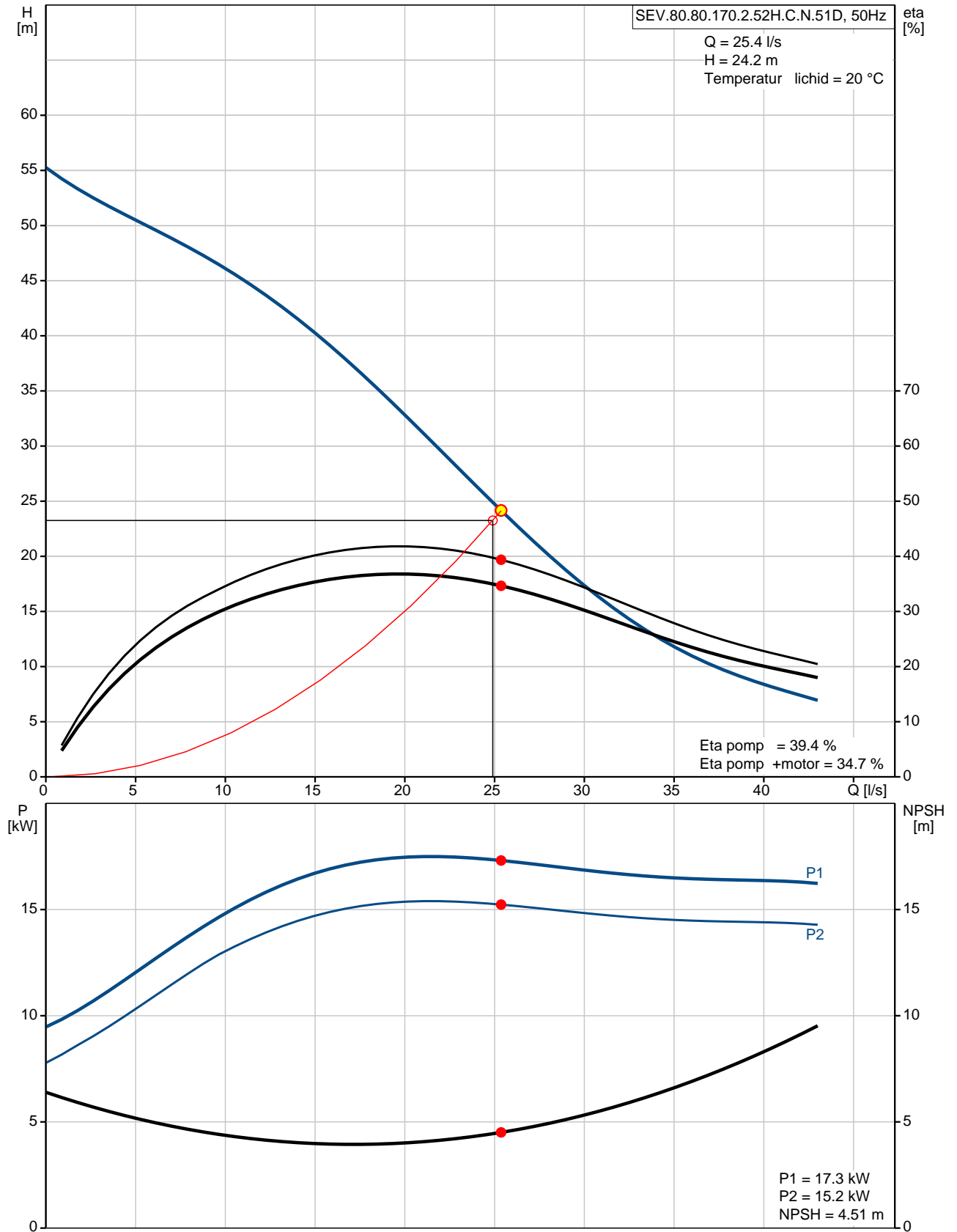
Note! All units are in [mm] unless others are stated.  
Disclaimer: This simplified dimensional drawing does not show all details.

96177646 SE1.80.100.75.A.4.51D.B 50 Hz



Note! All units are in [mm] unless others are stated.

## 98179851 SEV.80.80.170.2.52H.C.N.51D 50 Hz



**Descriere** Valori i tipuri

Nume produs: SEV.80.80.170.2.52H.C.N.51D  
Nr. produs: 98179851  
Num rul EAN: 5710629631992

**Technical:**

Debitul curent calculat: 25.4 l/s  
Debit maxim: 43.1 l/s  
În l imea de pompare rezultat pentru pomp : 24.2 m  
În l ime de pompare max.: 55 m  
Tip de rotor: SUPERVORTEX  
Dimensiunea maxim a particulelor: 80 mm  
etan are primar : SIC-SIC  
Etan are secundar : SIC-CARBON  
Toleran a curbelor: ISO 9906:1999 Annex A  
Manta de r cire: y

**Materials:**

Corpul pompei (stator): Font EN-GJL250  
Rotor: Font ductil EN-GJS 500-7  
Material: Whole pump in cast iron  
Motor: Font EN-GJL250

**Instala ie:**

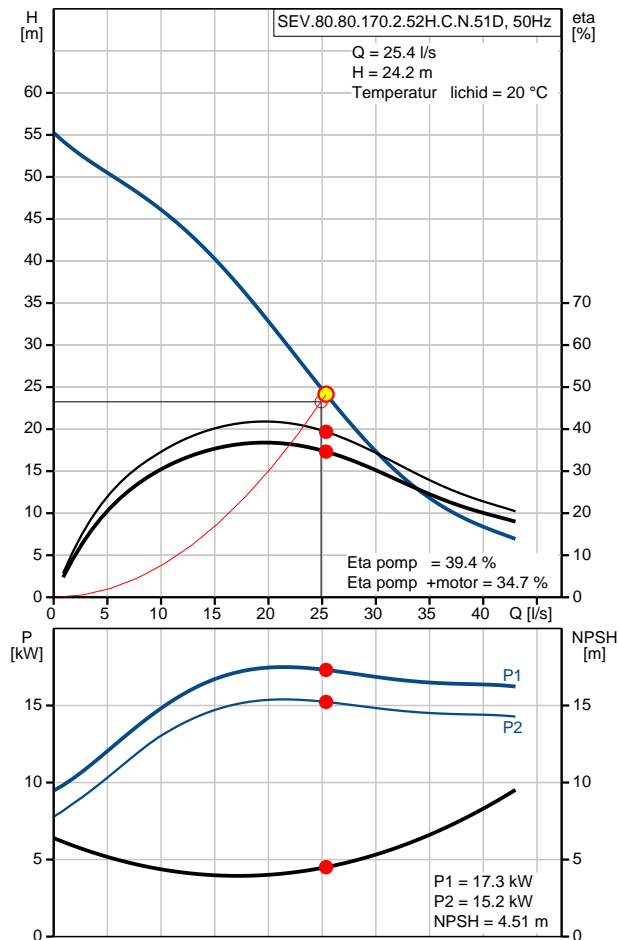
Temperatura ambient maxim : 40 °C  
Aspira ie pomp : DN80  
Refulare pomp : DN100  
Adâncime maxim de instalare: 20 m  
Instala ie: C  
Instalare uscatâ/umed : D/S  
Instala ie: vertical  
Auto-cuplaj: 96102240  
Inst vertical : 96308237  
Base stand: 96102313  
Dimensiune cadru: 52

**Liquid:**

Gama temperaturii lichidului: 0 .. 40 °C  
Temp. lichid: 20 °C  
Densitate: 998.2 kg/m³

**Electrical data:**

Num rul de poli: 2  
Curent consumat maxim: 33 A  
Puterea de intarare - P1: 19 kW  
Putere motor: 17 kW  
Frecven a re elei electrice: 50 Hz  
Tensiune nominal : 3 x 380-415/660-690 V  
Voltage tolerance: +10/-10 %  
Metod de pornire: star/delta  
Nr. max. de porniri pe or : 20  
Curent nominal: 34-32/20-19 A  
Curent de pornire: 315 A  
Curentul în gol nominal: 11.9 A  
Tura ie nominal : 2950 rpm  
Randamentul motorului la o înc rcare maxim : 88 %  
Randament motor la 3/4 sarcin : 88 %  
Randament motor la 1/2 sarcin : 84 %  
Grad de protec ie (IEC 34-5): IP68



**Descriere**      **Valori i tipuri**

Clas de izolare (IEC 85):	H
Protec ie anti-EX:	N
Protec ie Ex standard:	N
Tip protec ie motor încorporat :	KLIXON
Lungimea cablului:	10 m
Tip cablu:	S1BN8-F
Dimensiune cablu:	7X4+ 5X1,5
Rezist. cablu:	4,95 mOhm/m
R:	0,400 Ohm
Cos phi 1/1:	0,86
Cos phi 1/2:	0,73
Cos phi 3/4:	0,82

**Controls:**

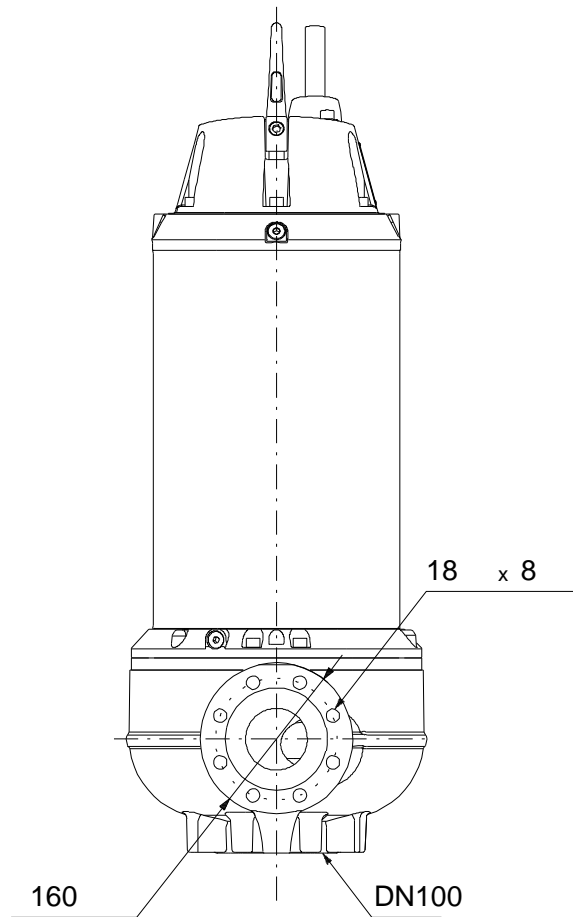
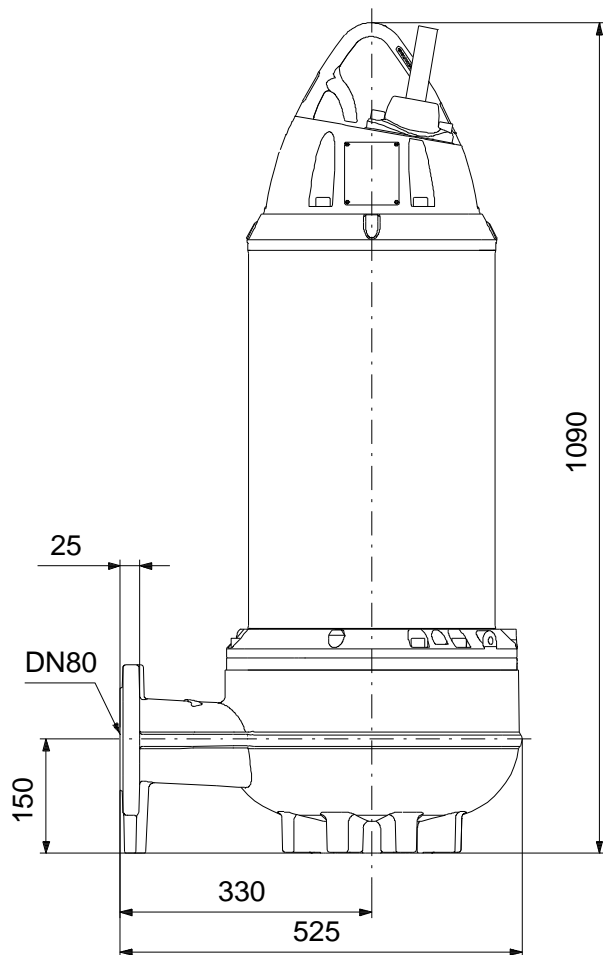
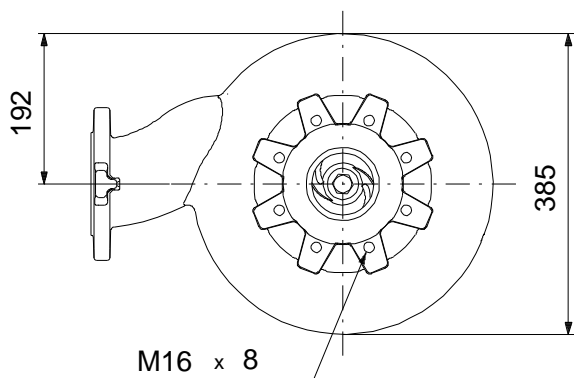
Senzor de umiditate:	cu senzori umiditate
Water-in-air_sensor:	N

**Others:**

Greutate net :	318 kg
----------------	--------

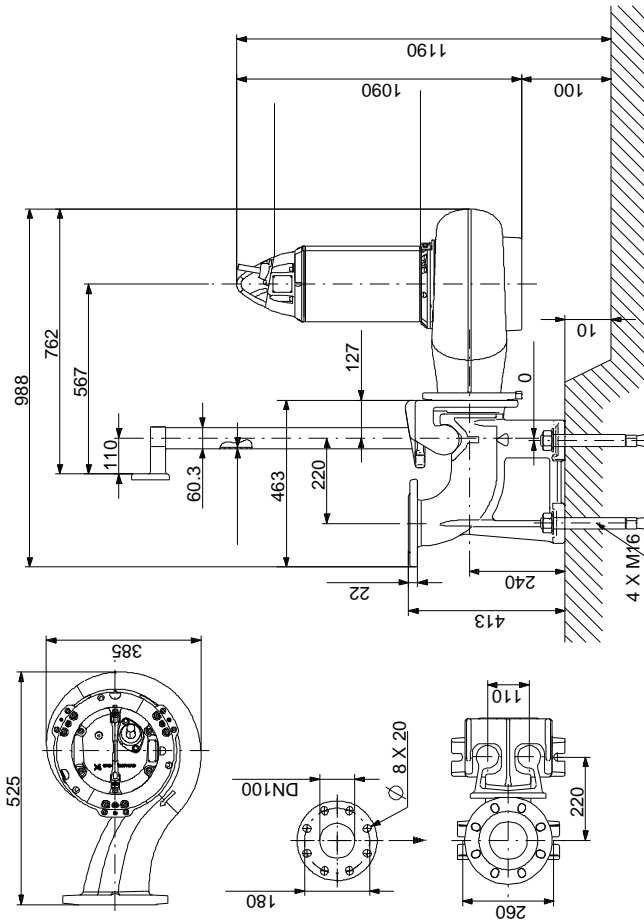


98179851 SEV.80.80.170.2.52H.C.N.51D 50 Hz



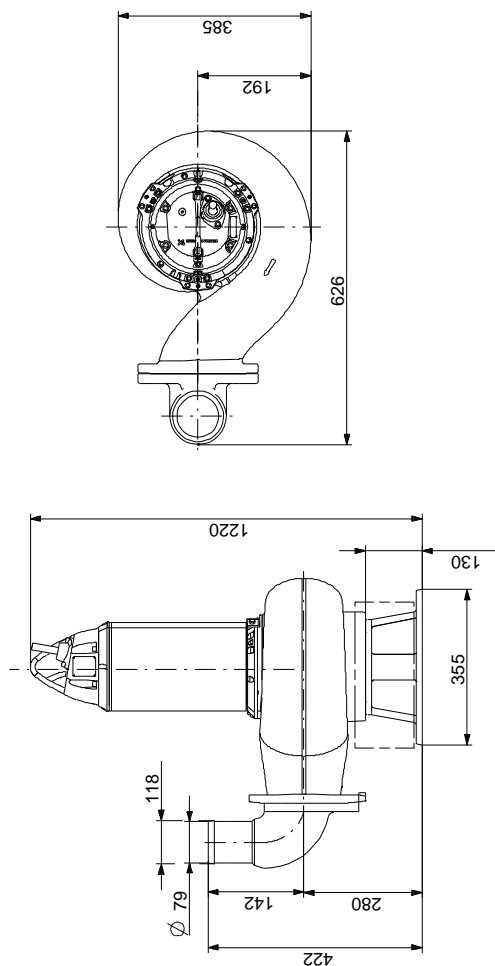
Note! All units are in [mm] unless others are stated.  
 Disclaimer: This simplified dimensional drawing does not show all details.

98179851 SEV.80.80.170.2.52H.C.N.51D 50 Hz



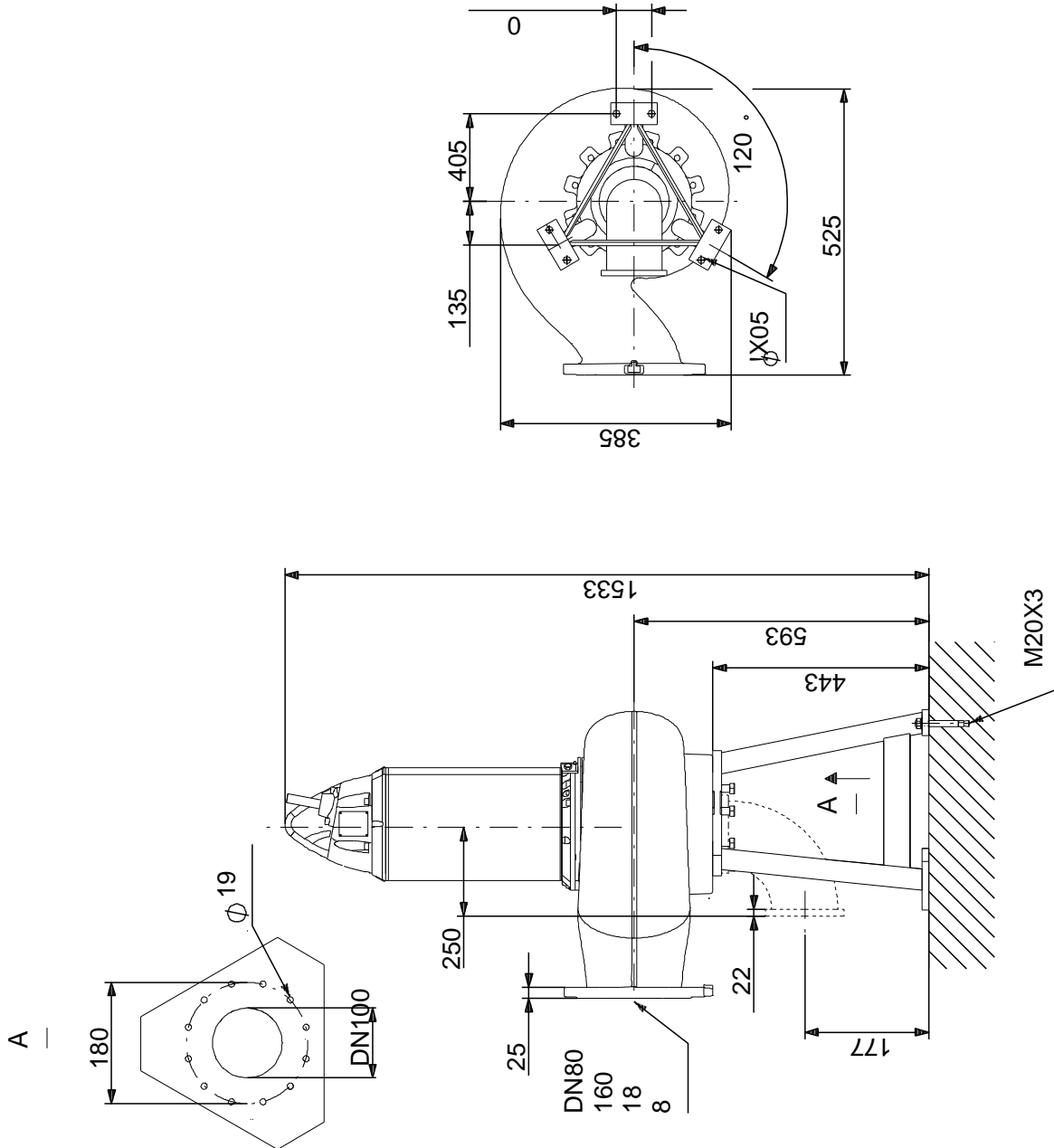
Note! All units are in [mm] unless others are stated.  
 Disclaimer: This simplified dimensional drawing does not show all details.

98179851 SEV.80.80.170.2.52H.C.N.51D 50 Hz



Note! All units are in [mm] unless others are stated.  
Disclaimer: This simplified dimensional drawing does not show all details.

98179851 SEV.80.80.170.2.52H.C.N.51D 50 Hz

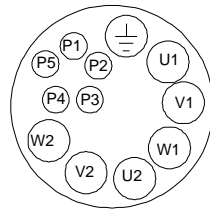
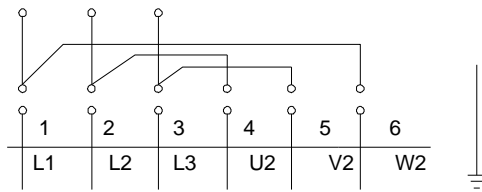


Note! All units are in [mm] unless others are stated.  
 Disclaimer: This simplified dimensional drawing does not show all details.

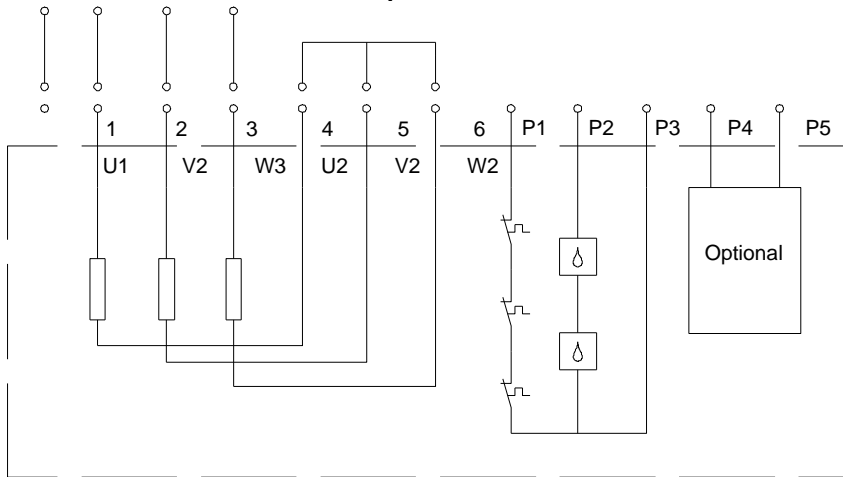
98179851 SEV.80.80.170.2.52H.C.N.51D 50 Hz

Wiring diagram. 12-wire cable

L1 L2 L3 Delta

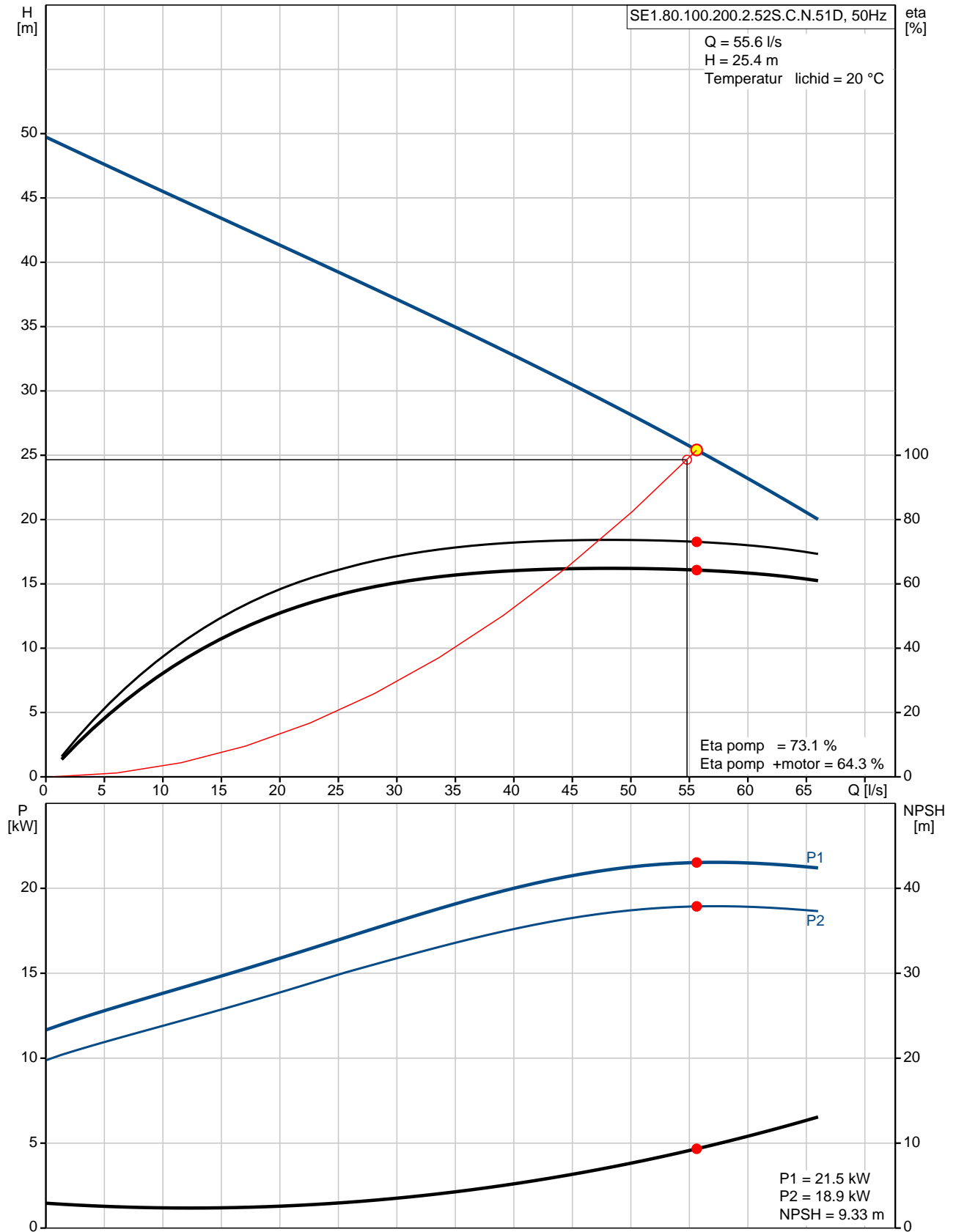


L1 L2 L3 Star Y



Not ! Toate unit ile sunt în [mm] dac nu altele sunt condi iile.

## 98179792 SE1.80.100.200.2.52S.C.N.51D 50 Hz



Descriere	Valori i tipuri
Nume produs:	SE1.80.100.200.2.52S.C.N.51D
Nr. produs:	98179792
Num rul EAN:	5710629631305

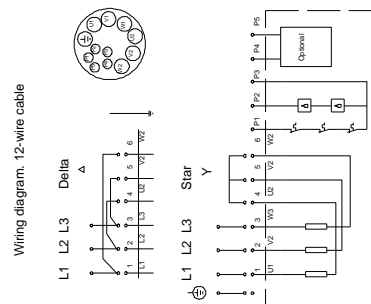
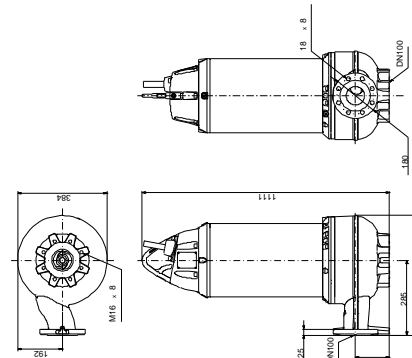
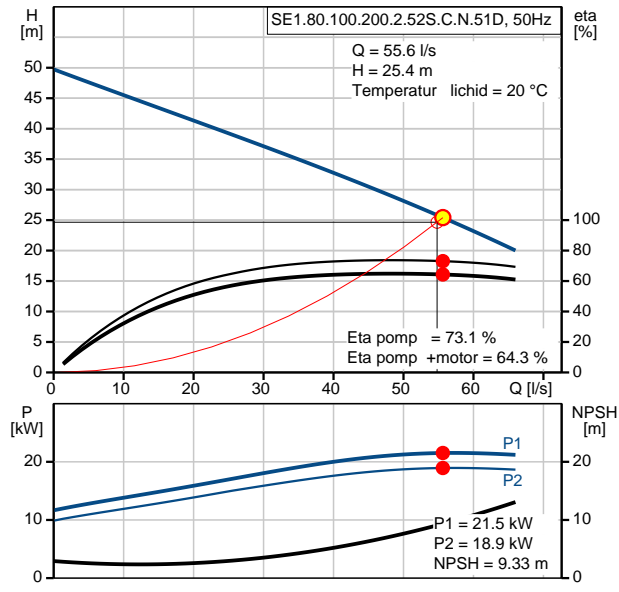
Technical:	
Debitul curent calculat:	55.6 l/s
Debit maxim:	66.1 l/s
În l imea de pompare rezultat pentru pomp :	25.4 m
În l ime de pompare max.:	44 m
Tip de rotor:	S-TUBE
Dimensiunea maxim a particulelor:	80 mm
etan are primar :	SIC-SIC
Etan are secundar :	SIC-CARBON
Toleran a curbelor:	ISO 9906:1999 Annex A
Manta de r cire:	y

Materials:	
Corpul pompei (stator):	Font EN-GJL250
Rotor:	Font EN-GJL250
Material:	Whole pump in cast iron
Motor:	Font EN-GJL250

Instala ie:	
Temperatura ambient maxim :	40 °C
Aspira ie pomp :	DN100
Refulare pomp :	DN100
Adâncime maxim de instalare:	20 m
Instala ie:	C
Instalare uscată/umed :	D/S
Instala ie:	vertical
Auto-cuplaj:	96090994
Inst vertical :	96308237
Base stand:	96102255
Dimensiune cadru:	52

Liquid:	
Gama temperaturii lichidului:	0 .. 40 °C
Temp. lichid:	20 °C
Densitate:	998.2 kg/m <sup>3</sup>

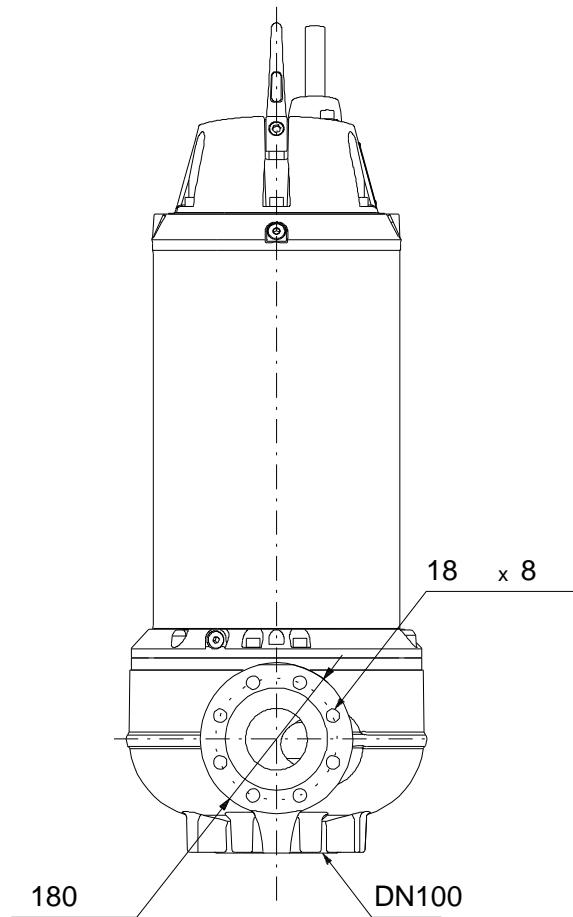
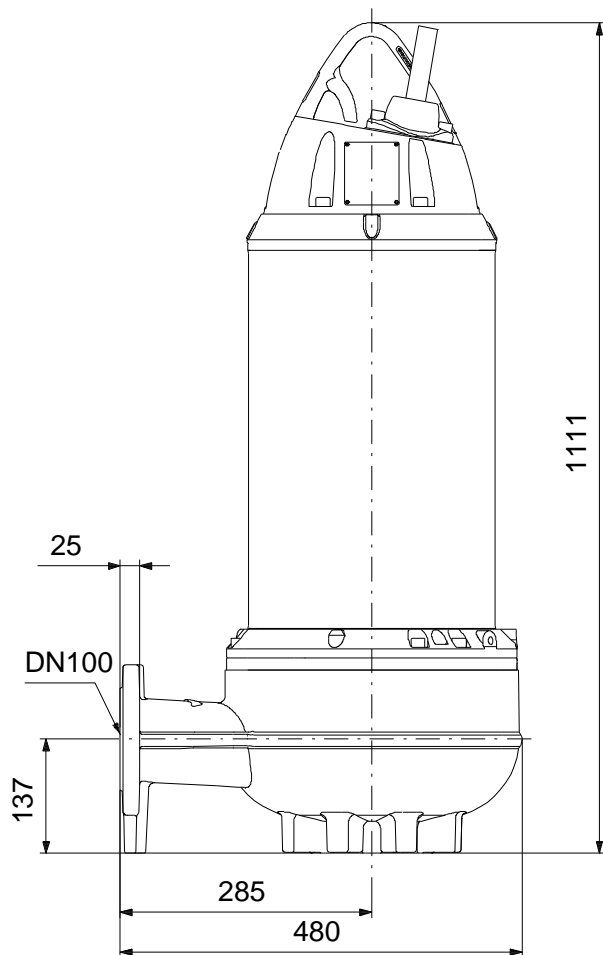
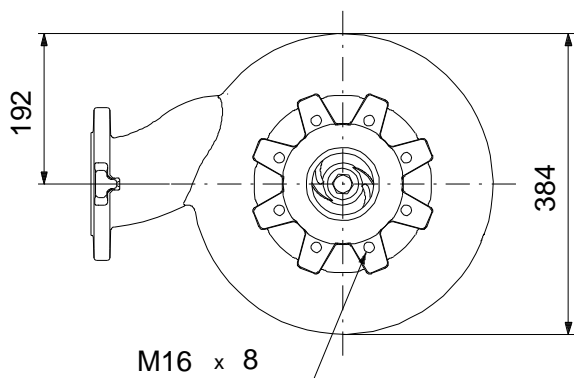
Electrical data:	
Num rul de poli:	2
Curent consumat maxim:	37 A
Puterea de intarare - P1:	23 kW
Putere motor:	20 kW
Frecven a re elei electrice:	50 Hz
Tensiune nominal :	3 x 380-415/660-690 V
Voltage tolerance:	+10/-10 %
Metod de pornire:	star/delta
Nr. max. de porniri pe or :	20
Curent nominal:	39-36/23-22 A
Curent de pornire:	332 A
Curentul în gol nominal:	14 A
Tura ie nominal :	2937 rpm
Randamentul motorului la o înc rcare maxim :	88 %
Randament motor la 3/4 sarcin :	88 %
Randament motor la 1/2 sarcin :	85 %



Descriere	Valori i tipuri
Grad de protec ie (IEC 34-5):	IP68
Clas de izolare (IEC 85):	H
Protec ie anti-EX:	N
Protec ie Ex standard:	N
Tip protec ie motor încorporat :	KLIXON
Lungimea cablului:	10 m
Tip cablu:	S1BN8-F
Dimensiune cablu:	7X4+ 5X1,5
Rezist. cablu:	4,95 mOhm/m
R:	0,355 Ohm
Cos phi 1/1:	0,89
Cos phi 1/2:	0,79
Cos phi 3/4:	0,86
<b>Controls:</b>	
Senzor de umiditate:	cu senzori umiditate
Water-in-air_sensor:	N
<b>Others:</b>	
Greutate net :	333 kg

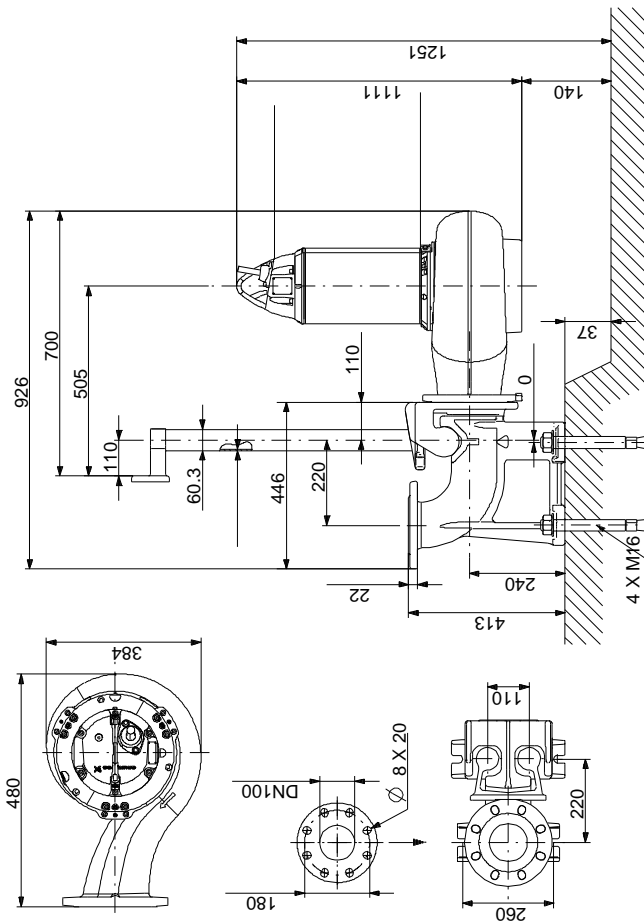


98179792 SE1.80.100.200.2.52S.C.N.51D 50 Hz



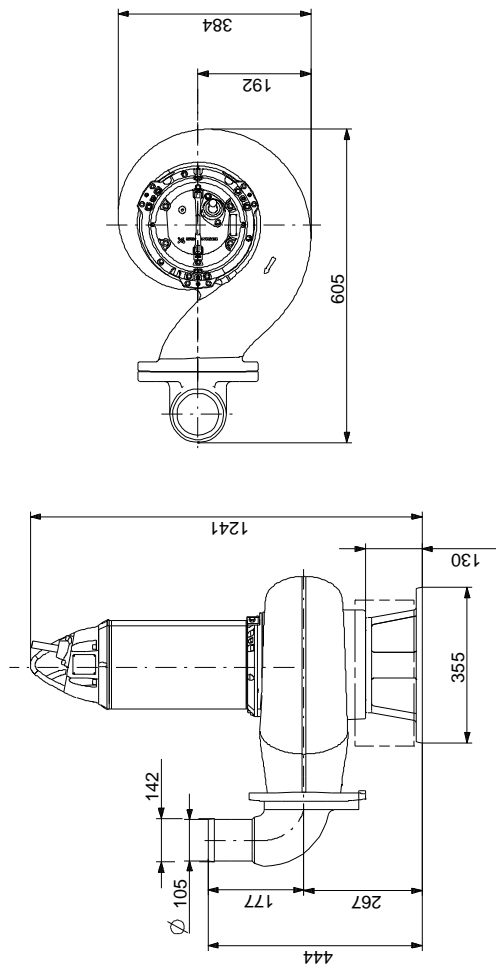
Note! All units are in [mm] unless others are stated.  
Disclaimer: This simplified dimensional drawing does not show all details.

98179792 SE1.80.100.200.2.52S.C.N.51D 50 Hz



Note! All units are in [mm] unless others are stated.  
 Disclaimer: This simplified dimensional drawing does not show all details.

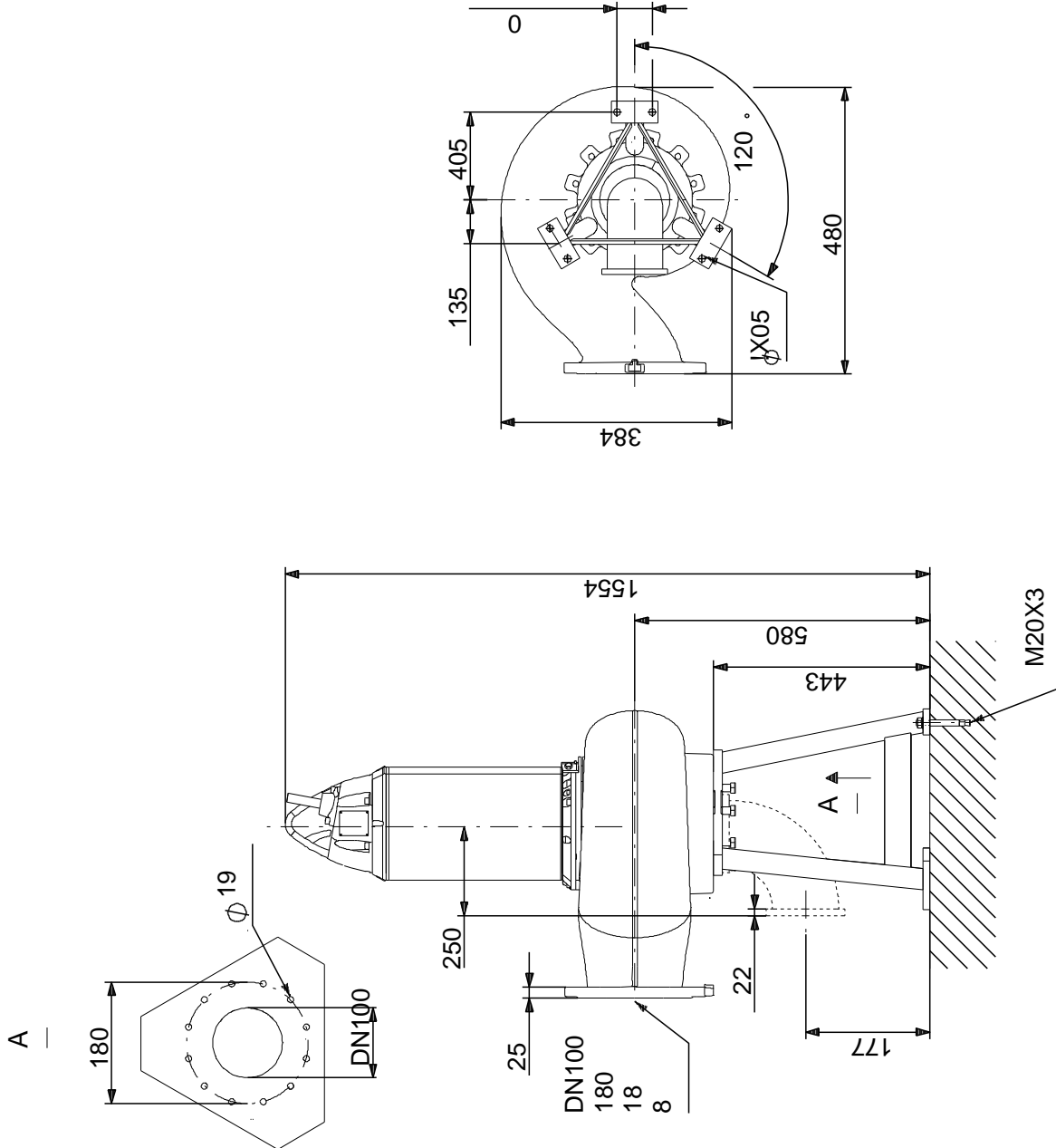
98179792 SE1.80.100.200.2.52S.C.N.51D 50 Hz



Note! All units are in [mm] unless others are stated.  
Disclaimer: This simplified dimensional drawing does not show all details.



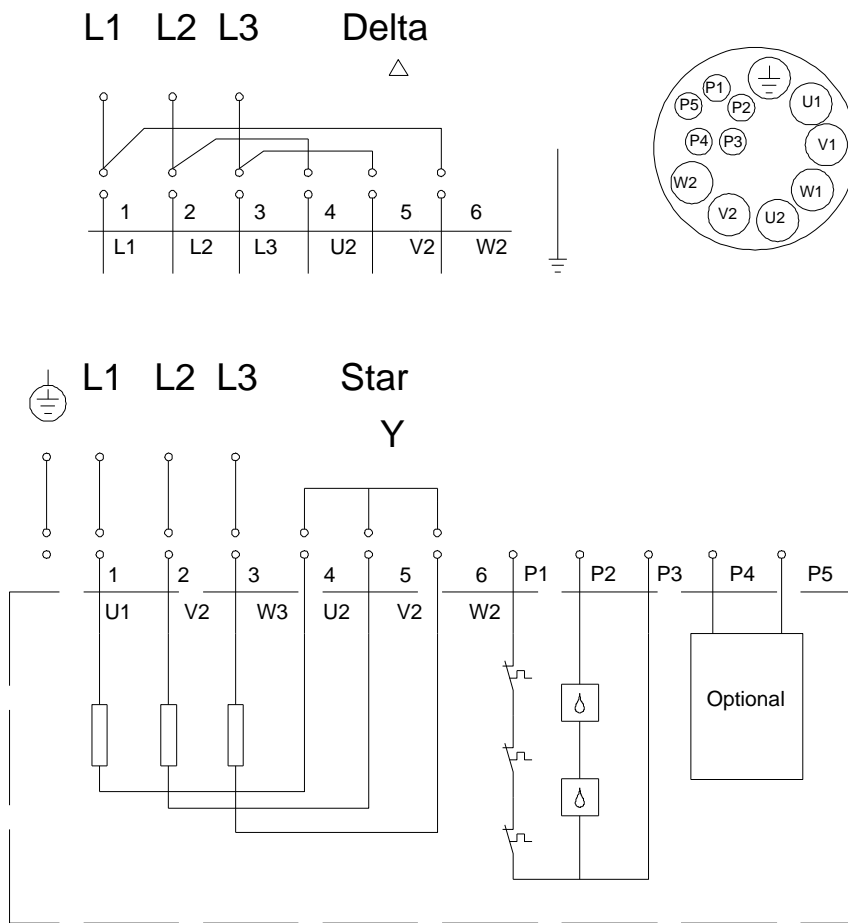
98179792 SE1.80.100.200.2.52S.C.N.51D 50 Hz



Note! All units are in [mm] unless others are stated.  
 Disclaimer: This simplified dimensional drawing does not show all details.

98179792 SE1.80.100.200.2.52S.C.N.51D 50 Hz

Wiring diagram. 12-wire cable



Not ! Toate unit ile sunt în [mm] dac nu altele sunt condi iile.

SEV.80.80.200.2.52H.C.N.51D, 50Hz

Темп. жидкости = 20 °C

